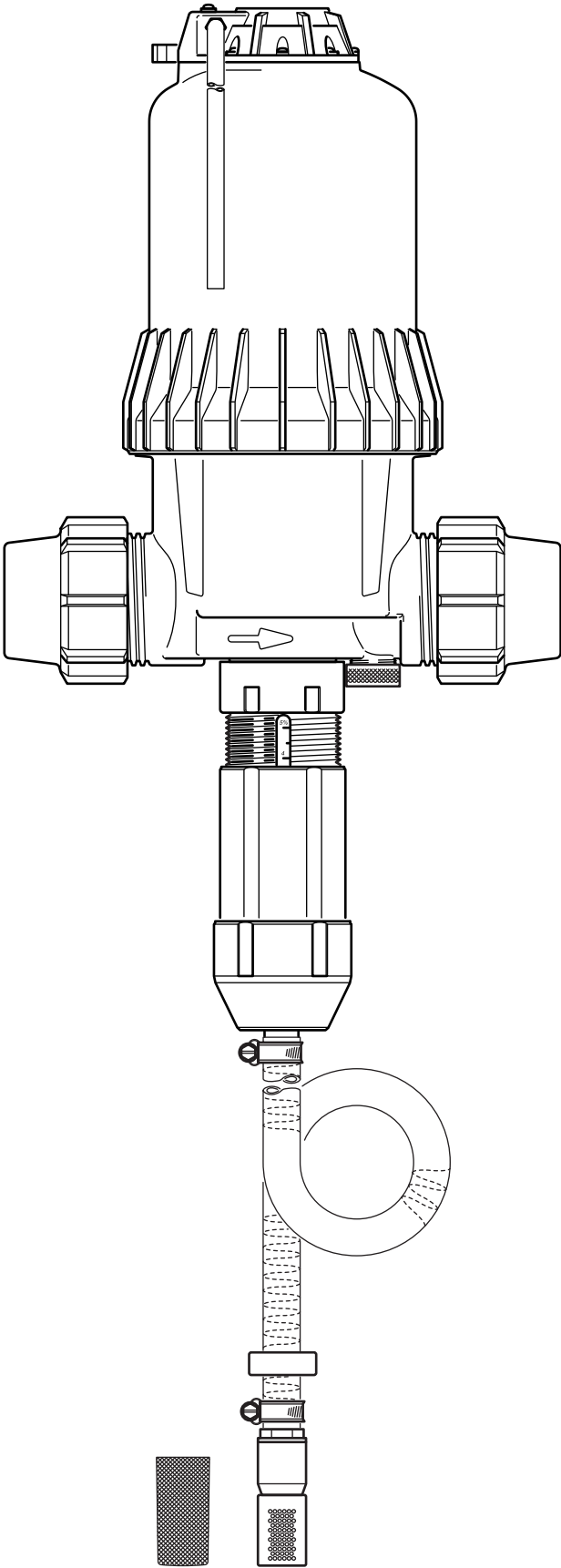


# D8R150

8 m<sup>3</sup>/h - 1 - 5%  
40 GPM - 1:100 - 1:20  
0.15 - 8 bar  
2.2 - 116 psi

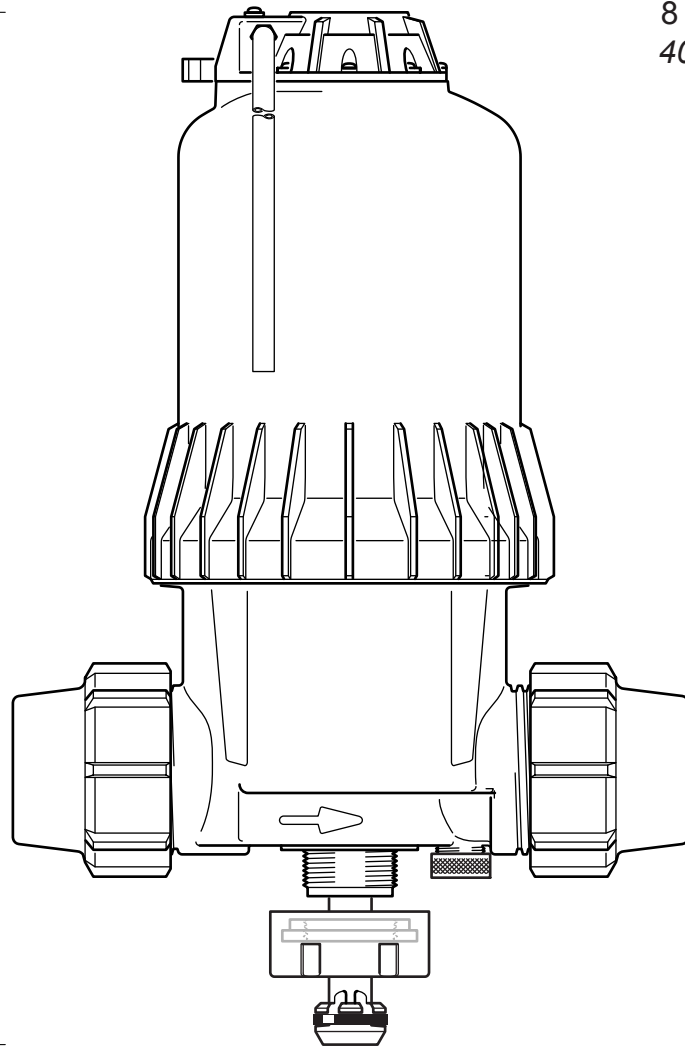


D8R150/1003/D

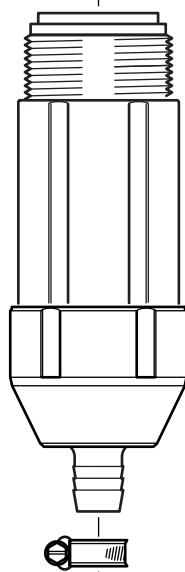
**D8R150**

8 m<sup>3</sup>/h - 1 - 5%  
40 GPM - 1:100 - 1:20  
0.15 - 8 bar  
2.2 - 116 psi

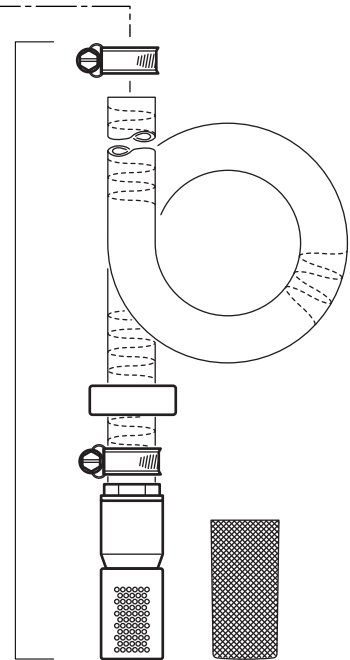
**C+M**



**D**



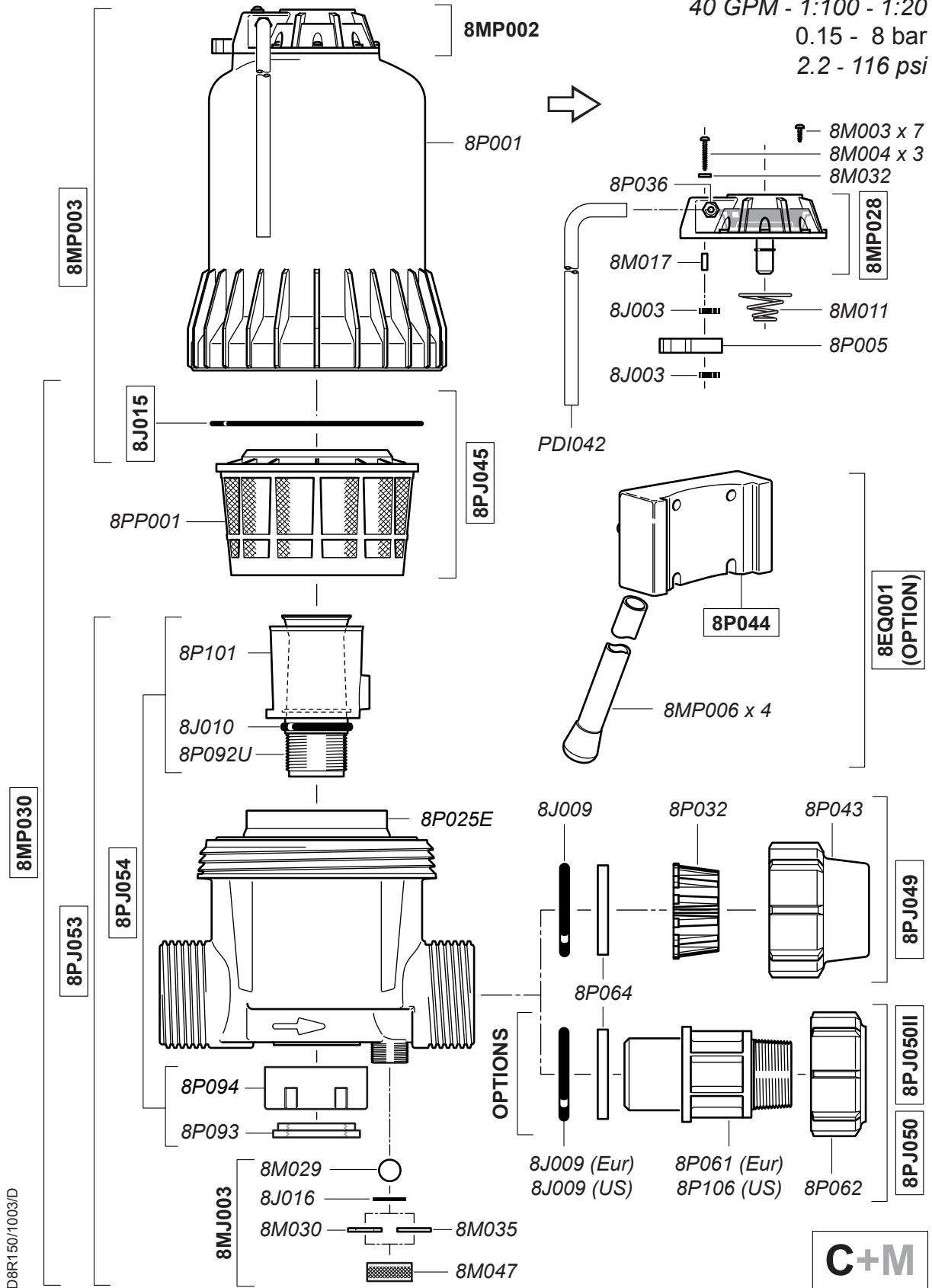
**A**



D8R150/1003/D

# D8R150

8 m<sup>3</sup>/h - 1 - 5%  
 40 GPM - 1:100 - 1:20  
 0.15 - 8 bar  
 2.2 - 116 psi

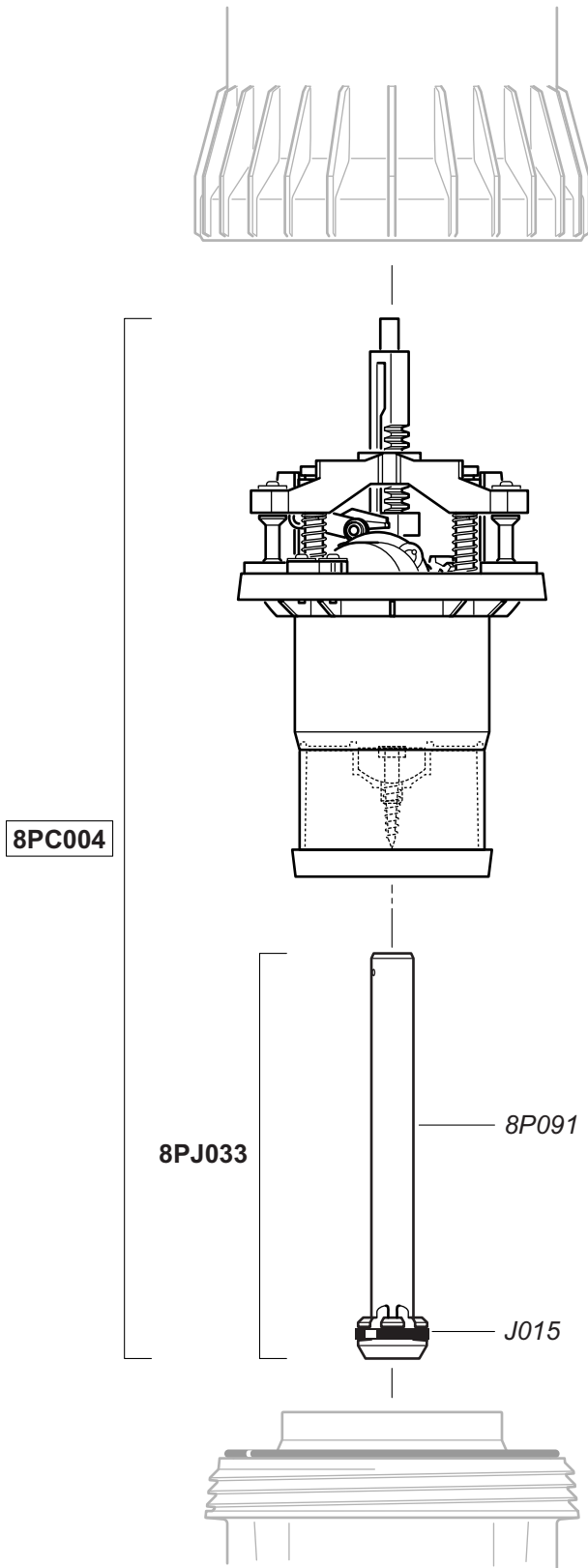


D8R150/1003/D



# D8R150

8 m<sup>3</sup>/h - 1 - 5%  
40 GPM - 1:100 - 1:20  
0.15 - 8 bar  
2.2 - 116 psi

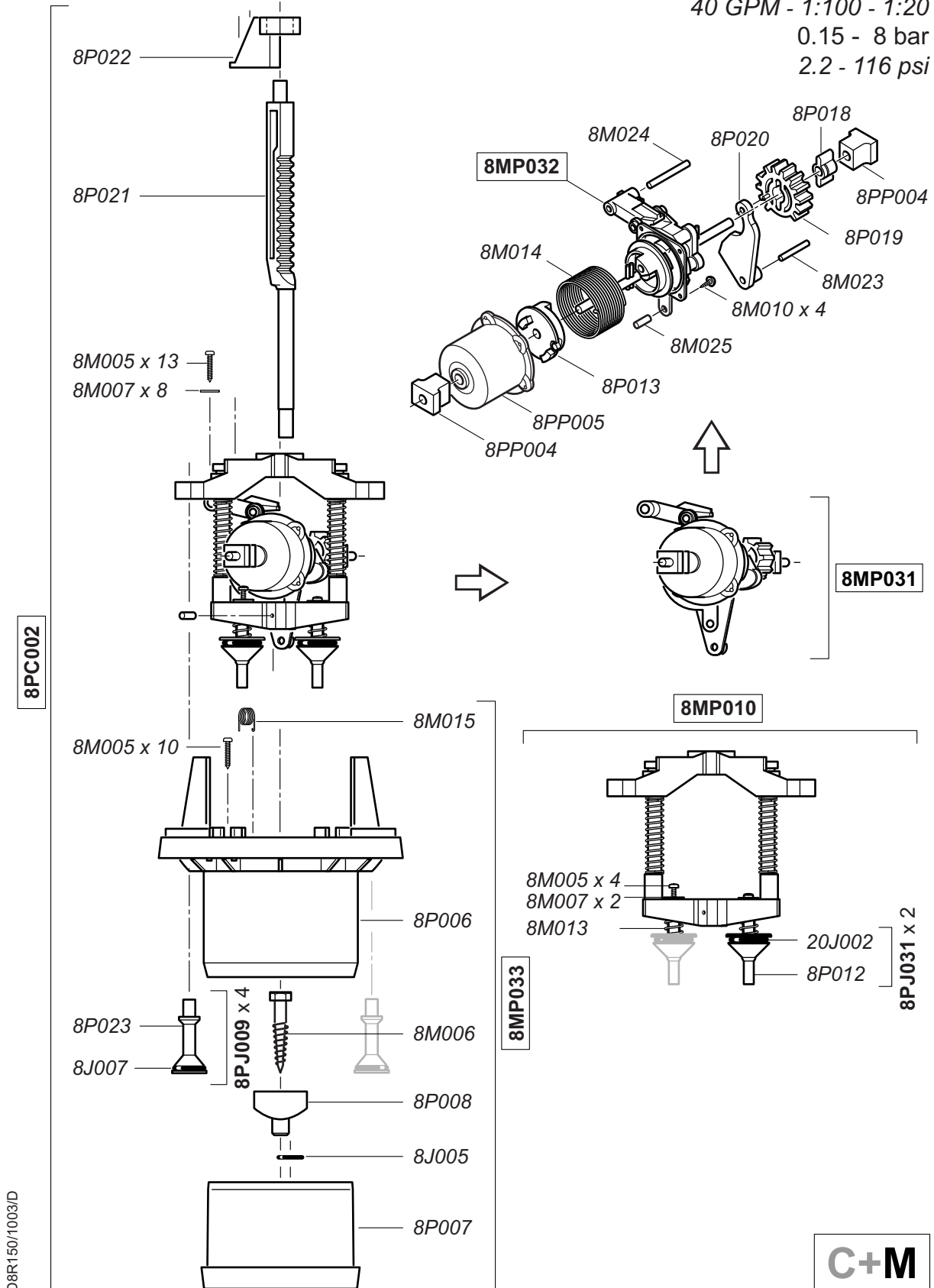


D8R150/1003/D

**C+M**

# D8R150

8 m<sup>3</sup>/h - 1 - 5%  
 40 GPM - 1:100 - 1:20  
 0.15 - 8 bar  
 2.2 - 116 psi

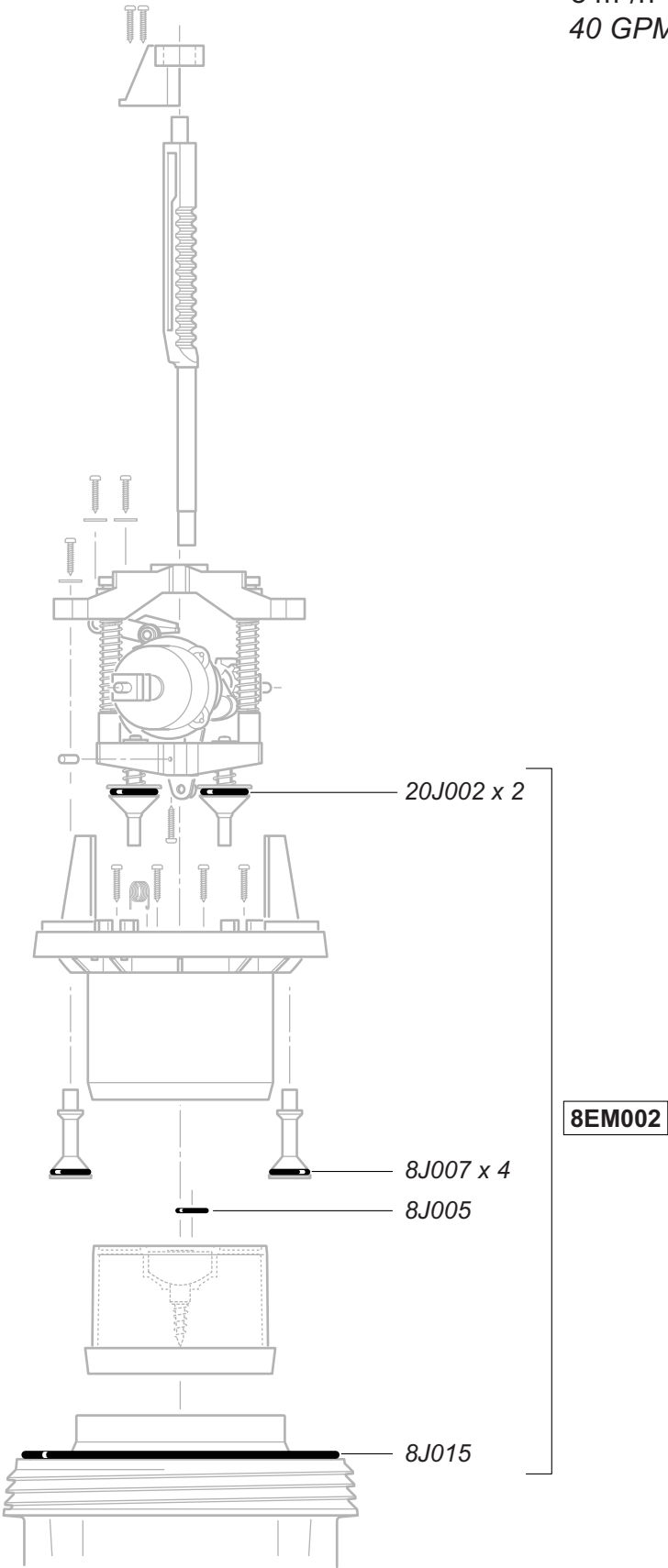


D8R150/1003/D



# D8R150

8 m<sup>3</sup>/h - 1 - 5%  
40 GPM - 1:100 - 1:20  
0.15 - 8 bar  
2.2 - 116 psi

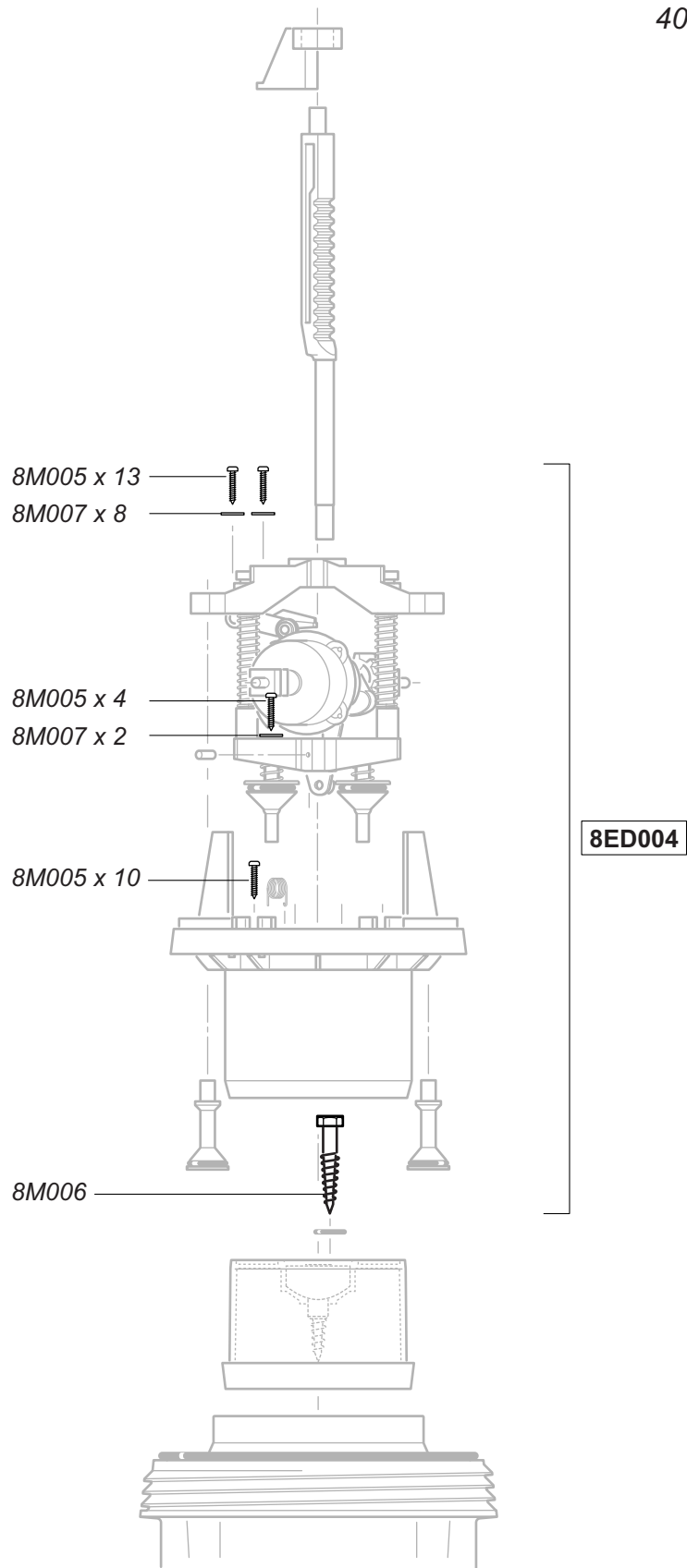


D8R150/1003/D



# D8R150

8 m<sup>3</sup>/h - 1 - 5%  
40 GPM - 1:100 - 1:20  
0.15 - 8 bar  
2.2 - 116 psi

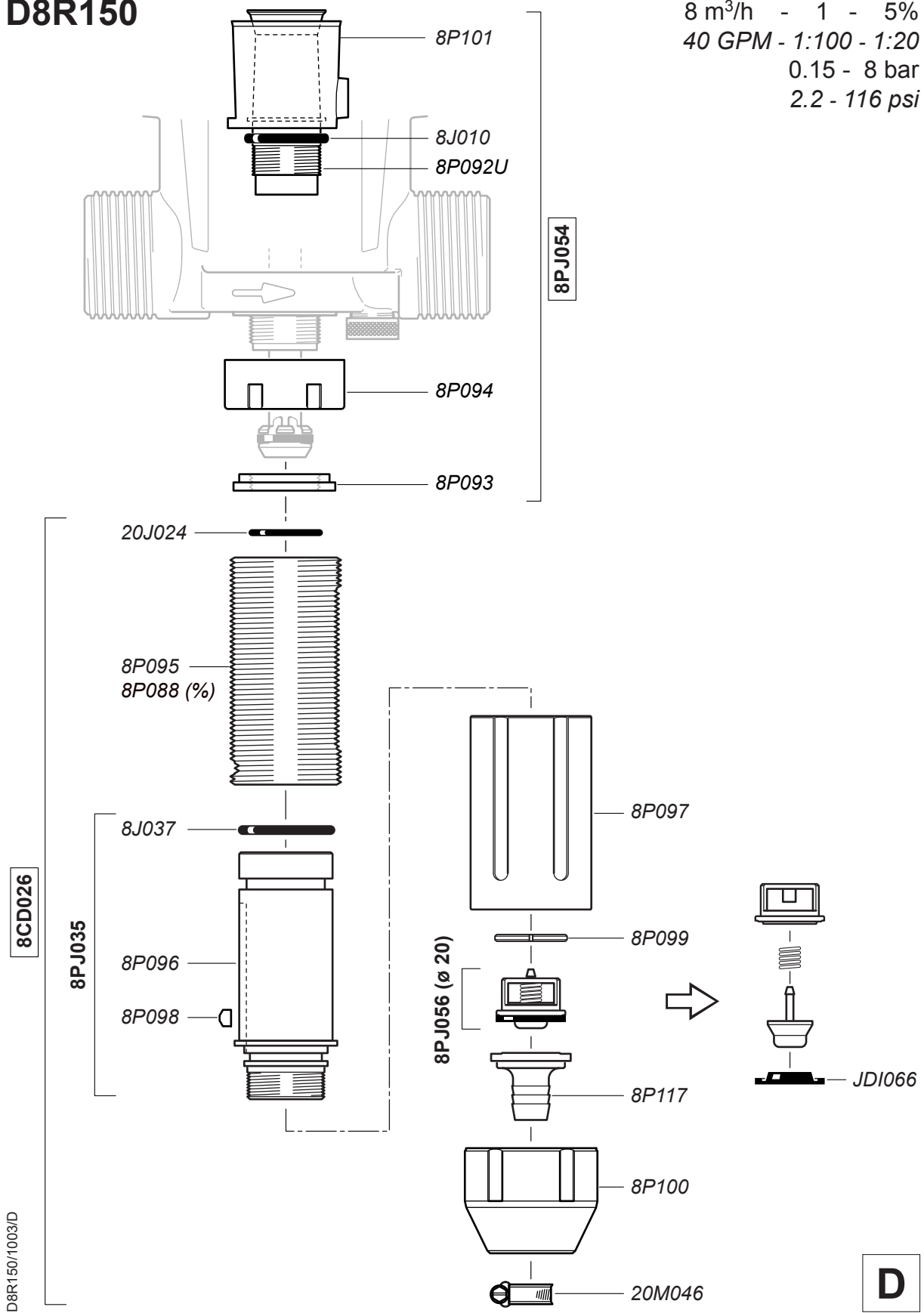


D8R150/1003/D

**C+M**

# D8R150

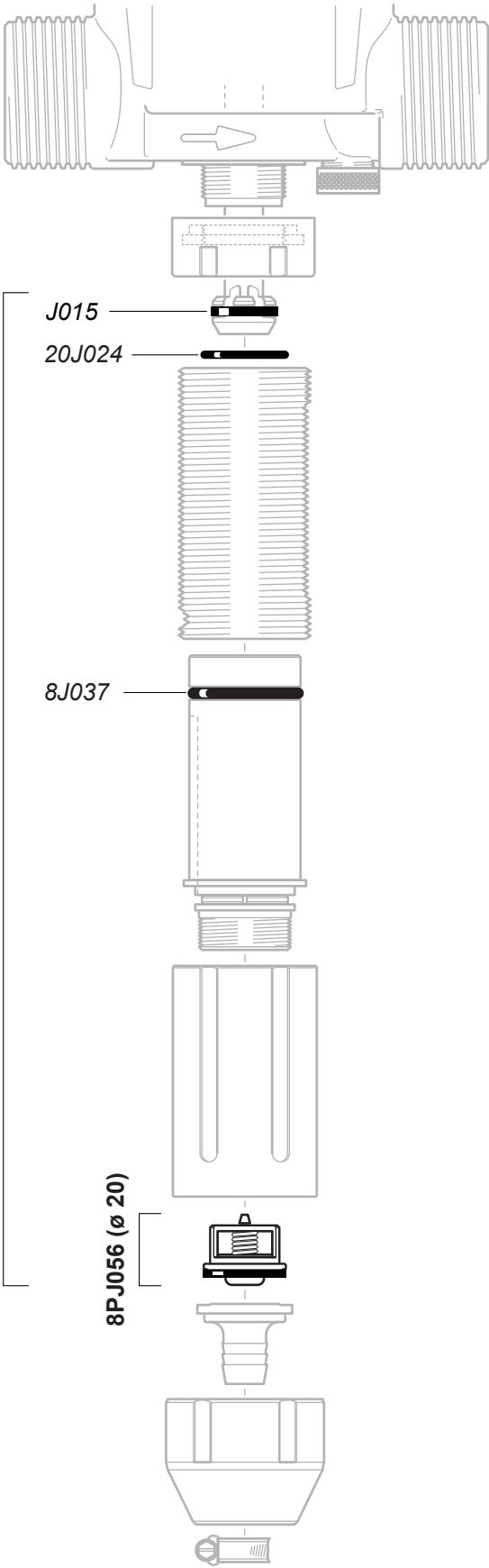
8 m<sup>3</sup>/h - 1 - 5%  
 40 GPM - 1:100 - 1:20  
 0.15 - 8 bar  
 2.2 - 116 psi



D8R150/1003/D

# D8R150

8 m<sup>3</sup>/h - 1 - 5%  
40 GPM - 1:100 - 1:20  
0.15 - 8 bar  
2.2 - 116 psi

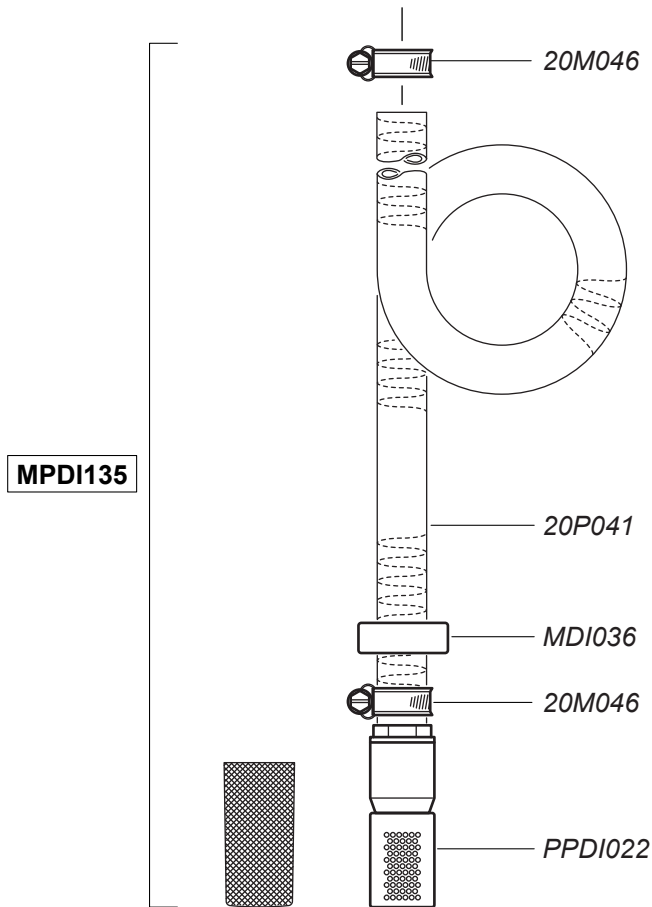
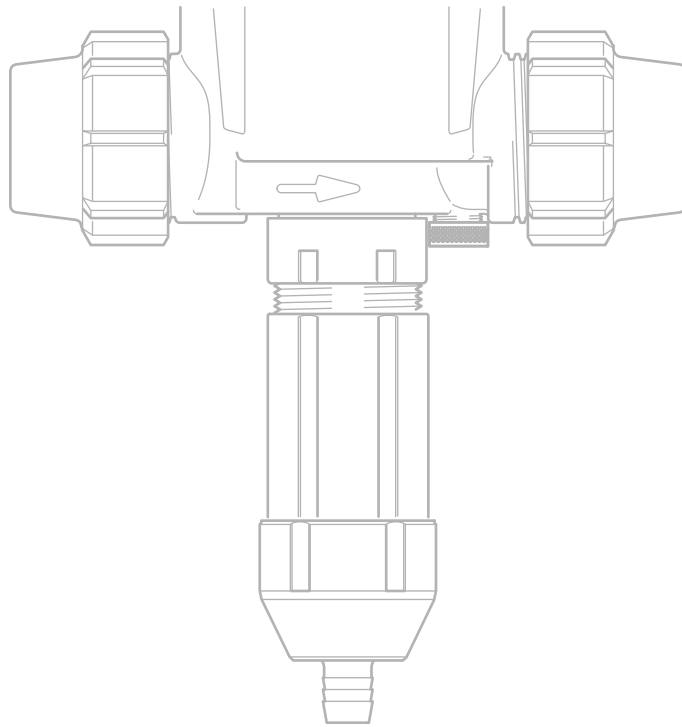


8PJ057

8PJ056 (ø 20)

# D8R150

8 m<sup>3</sup>/h - 1 - 5%  
40 GPM - 1:100 - 1:20  
0.15 - 8 bar  
2.2 - 116 psi



D8R150/1003/D

**A**