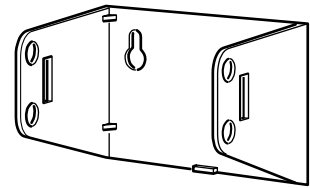
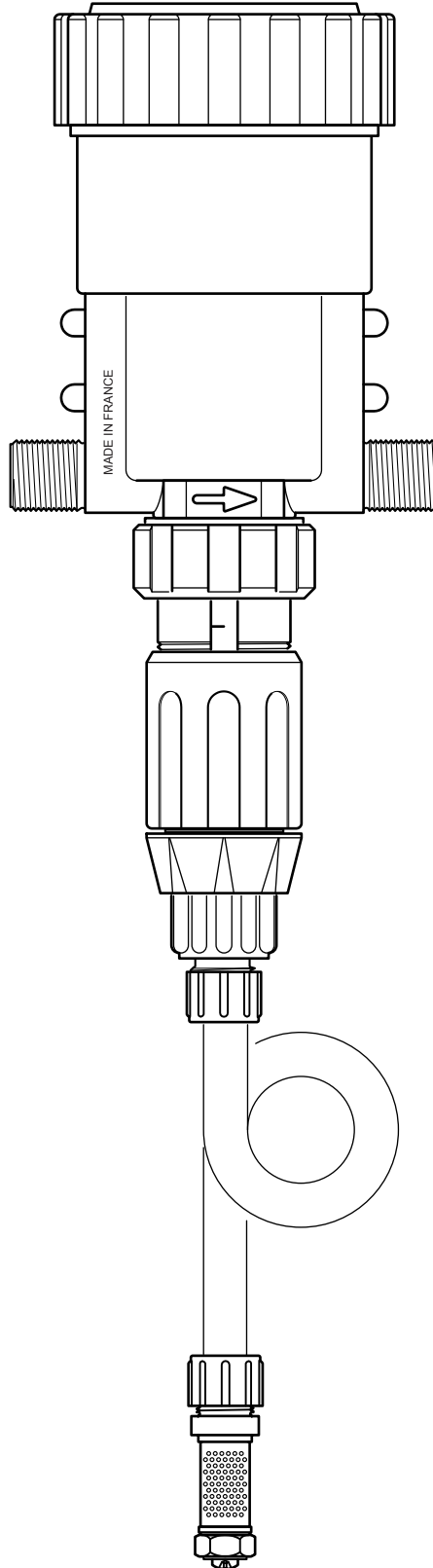


## D310RE

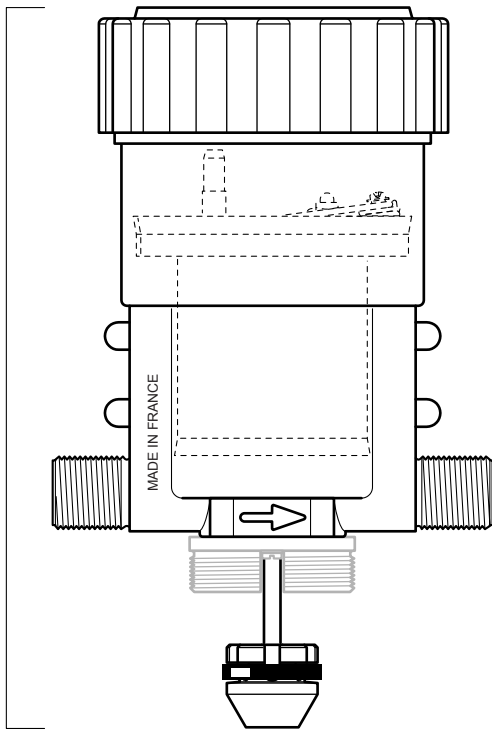
1.5 m<sup>3</sup>/h - 3 - 10%  
7 GPM - 1:33 - 1:10  
0.5 - 5 bar  
7 - 70 psi



# D310RE

1.5 m<sup>3</sup>/h - 3 - 10%  
7 GPM - 1:33 - 1:10  
0.5 - 5 bar  
7 - 70 psi

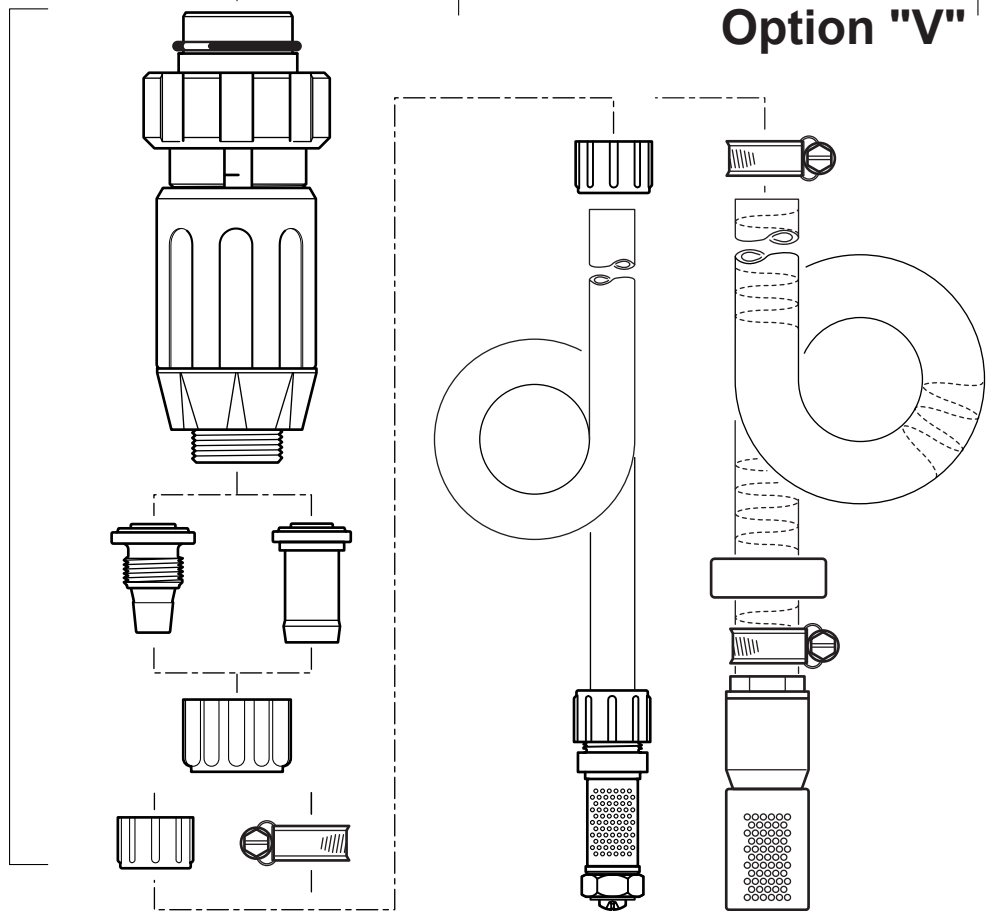
**C+M**



**A**

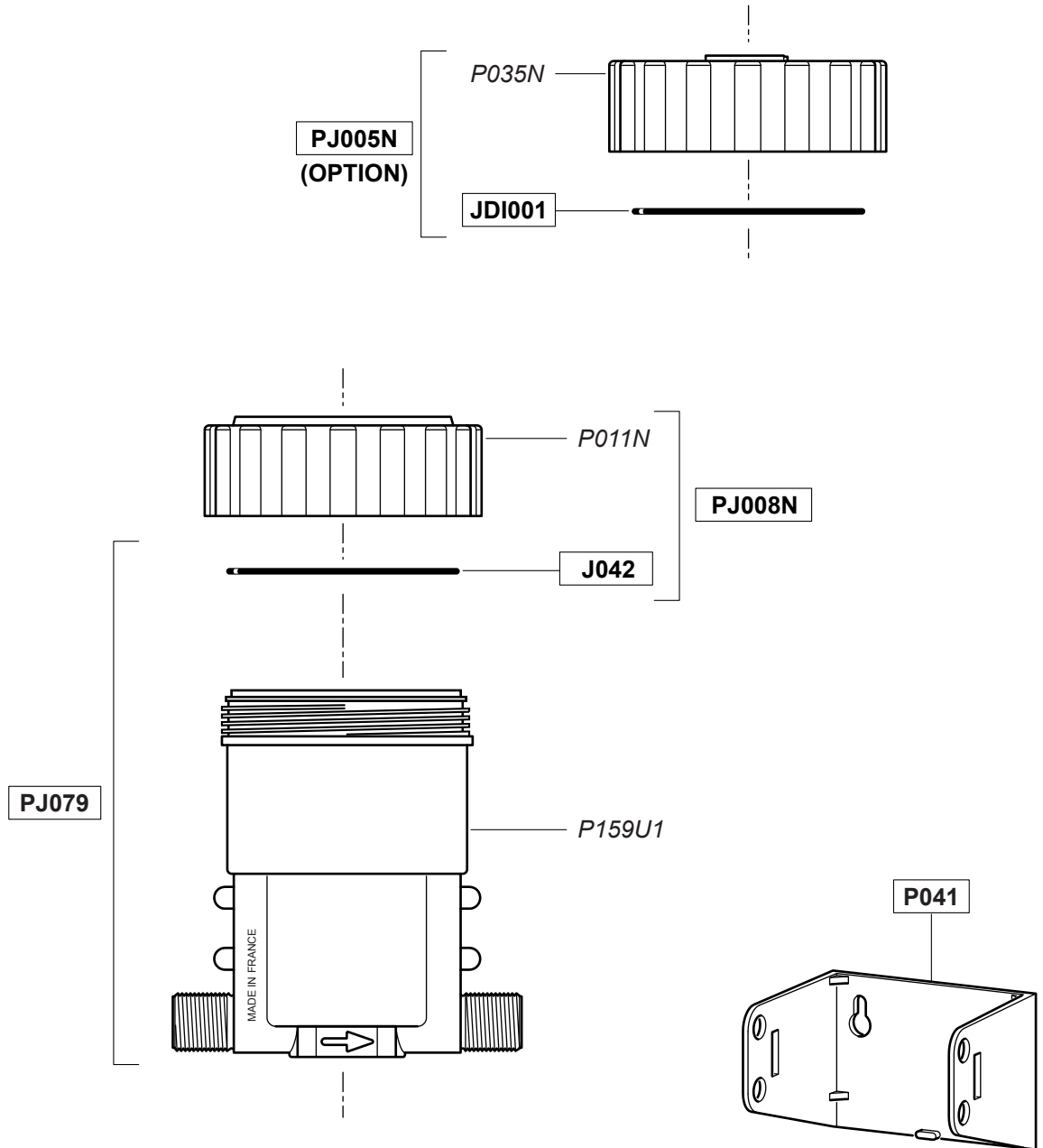
**Option "V"**

**D**



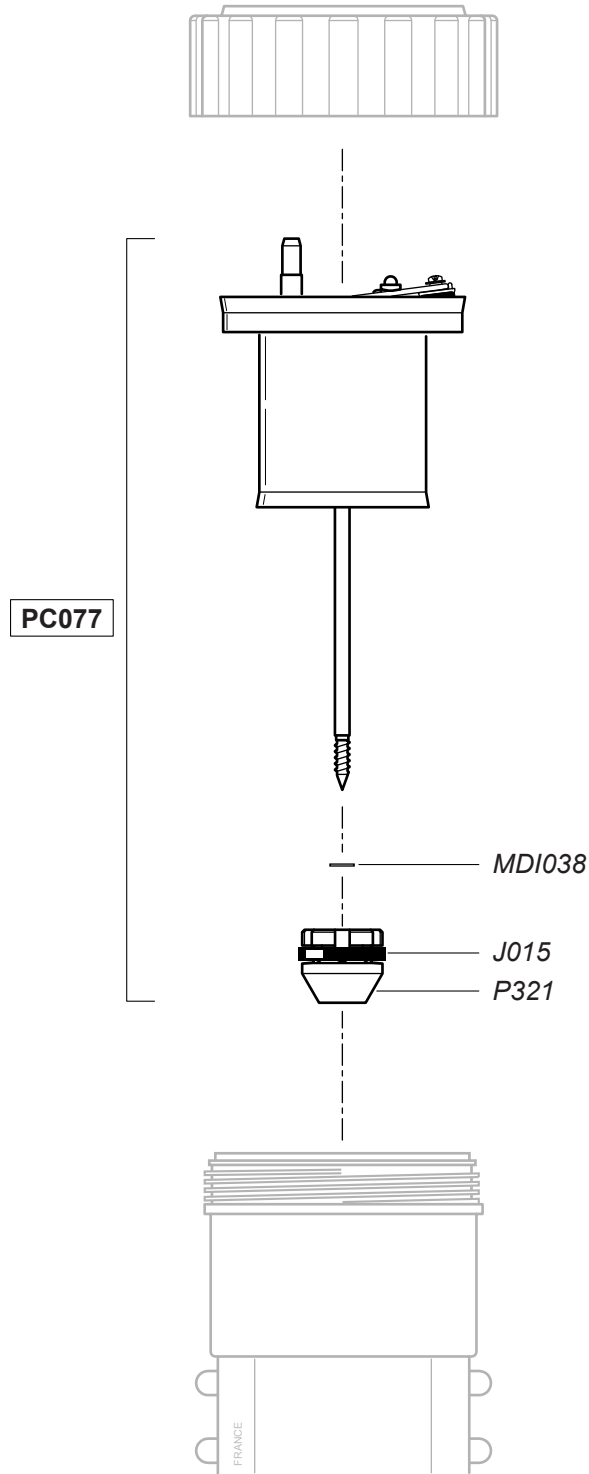
# D310RE

1.5 m<sup>3</sup>/h - 3 - 10%  
7 GPM - 1:33 - 1:10  
0.5 - 5 bar  
7 - 70 psi



# D310RE

1.5 m<sup>3</sup>/h - 3 - 10%  
7 GPM - 1:33 - 1:10  
0.5 - 5 bar  
7 - 70 psi

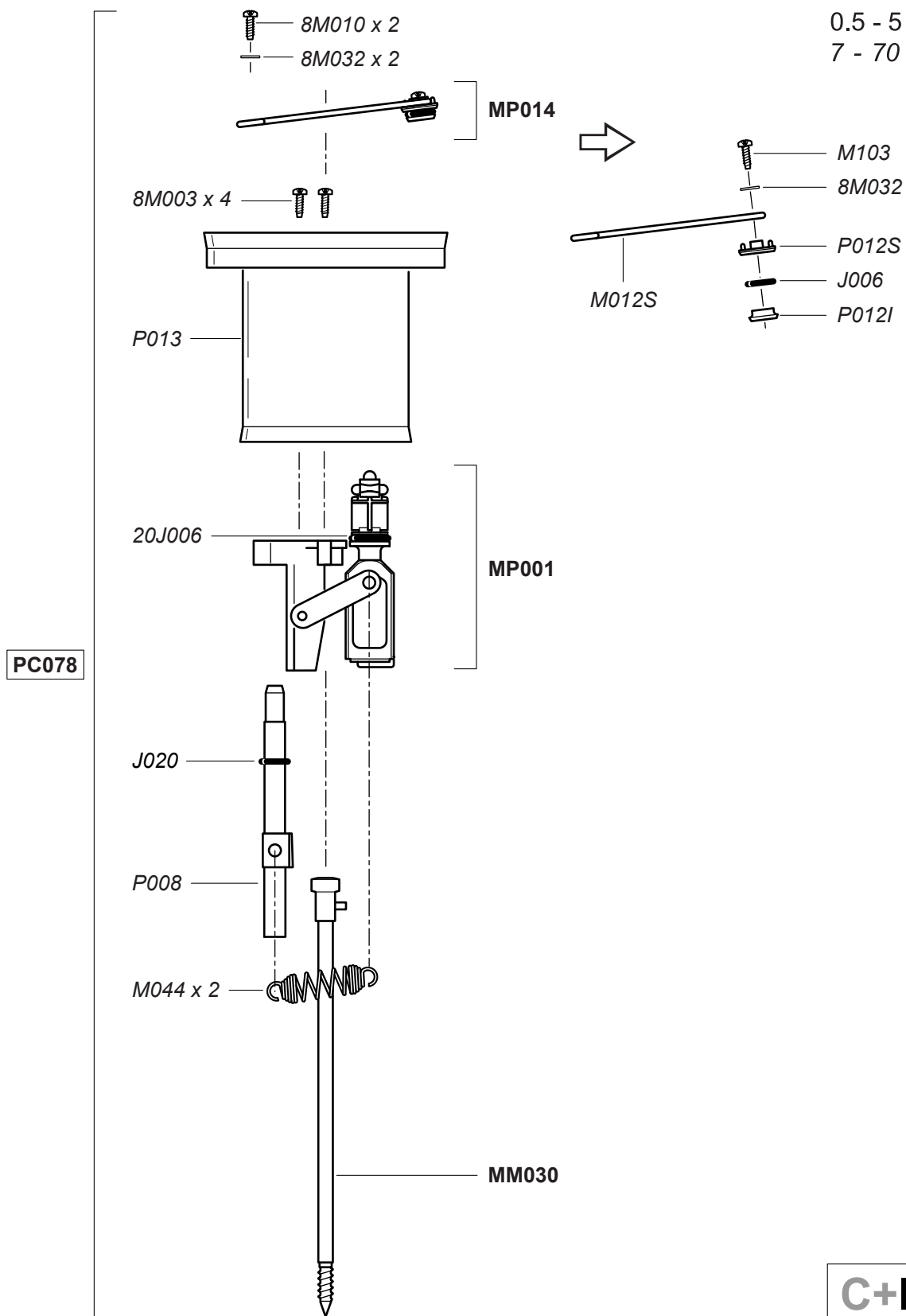


D310RE/1004/D

**C+M**

# D310RE

1.5 m<sup>3</sup>/h - 3 - 10%  
7 GPM - 1:33 - 1:10  
0.5 - 5 bar  
7 - 70 psi

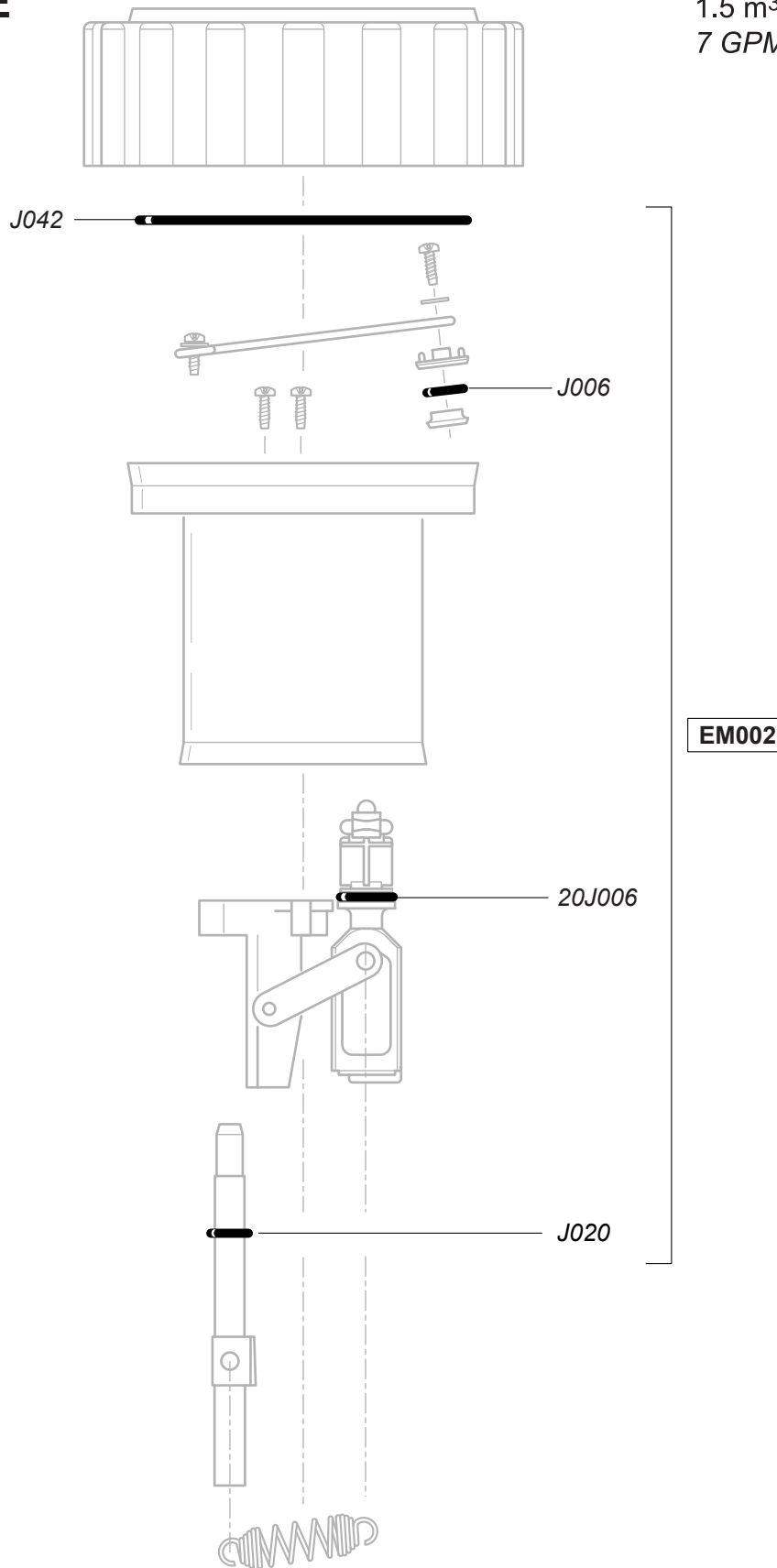


D310RE/1004/D

**C+M**

# D310RE

1.5 m<sup>3</sup>/h - 3 - 10%  
7 GPM - 1:33 - 1:10  
0.5 - 5 bar  
7 - 70 psi

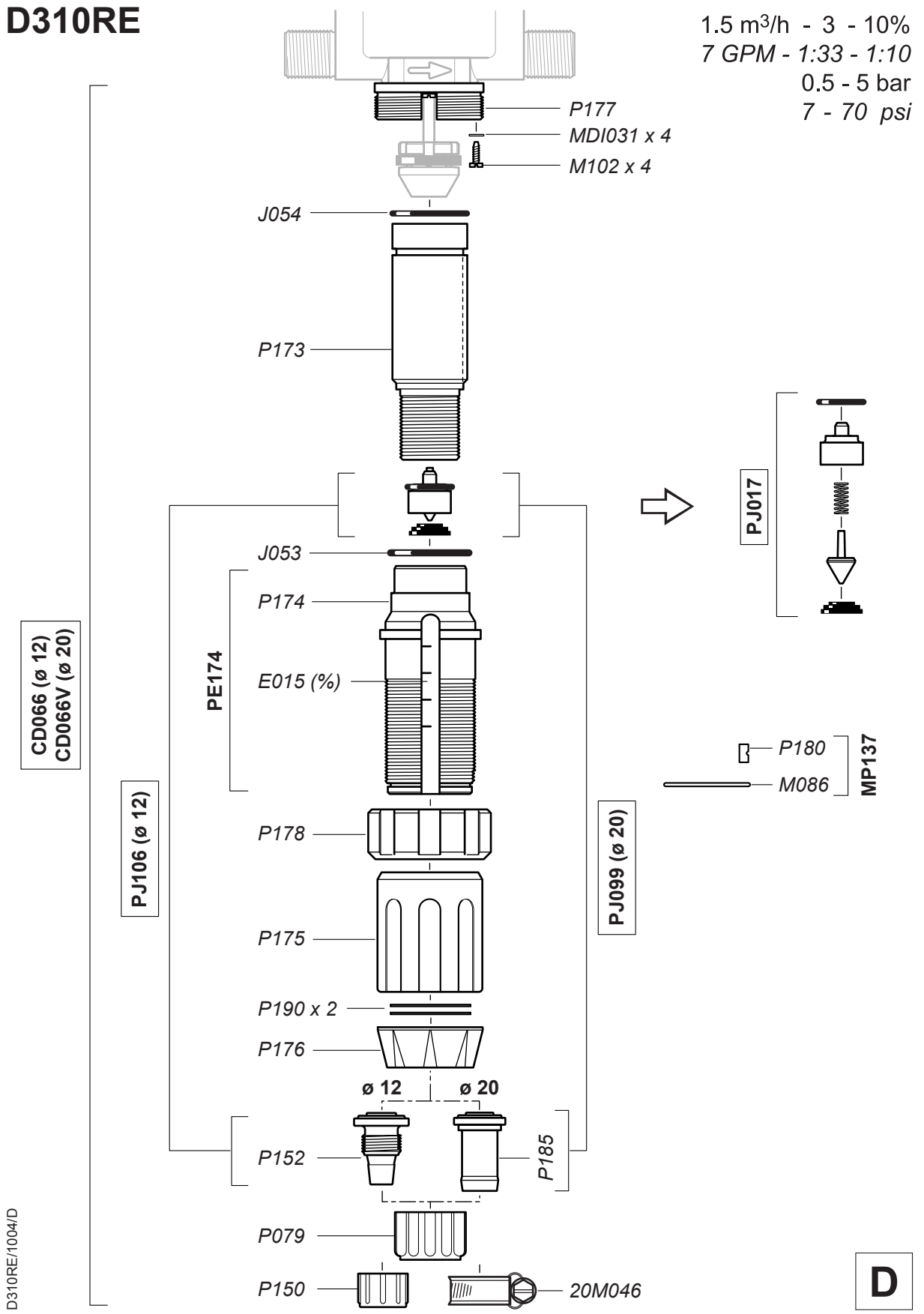


D310RE/1004/D

**C+M**

# D310RE

1.5 m<sup>3</sup>/h - 3 - 10%  
 7 GPM - 1:33 - 1:10  
 0.5 - 5 bar  
 7 - 70 psi

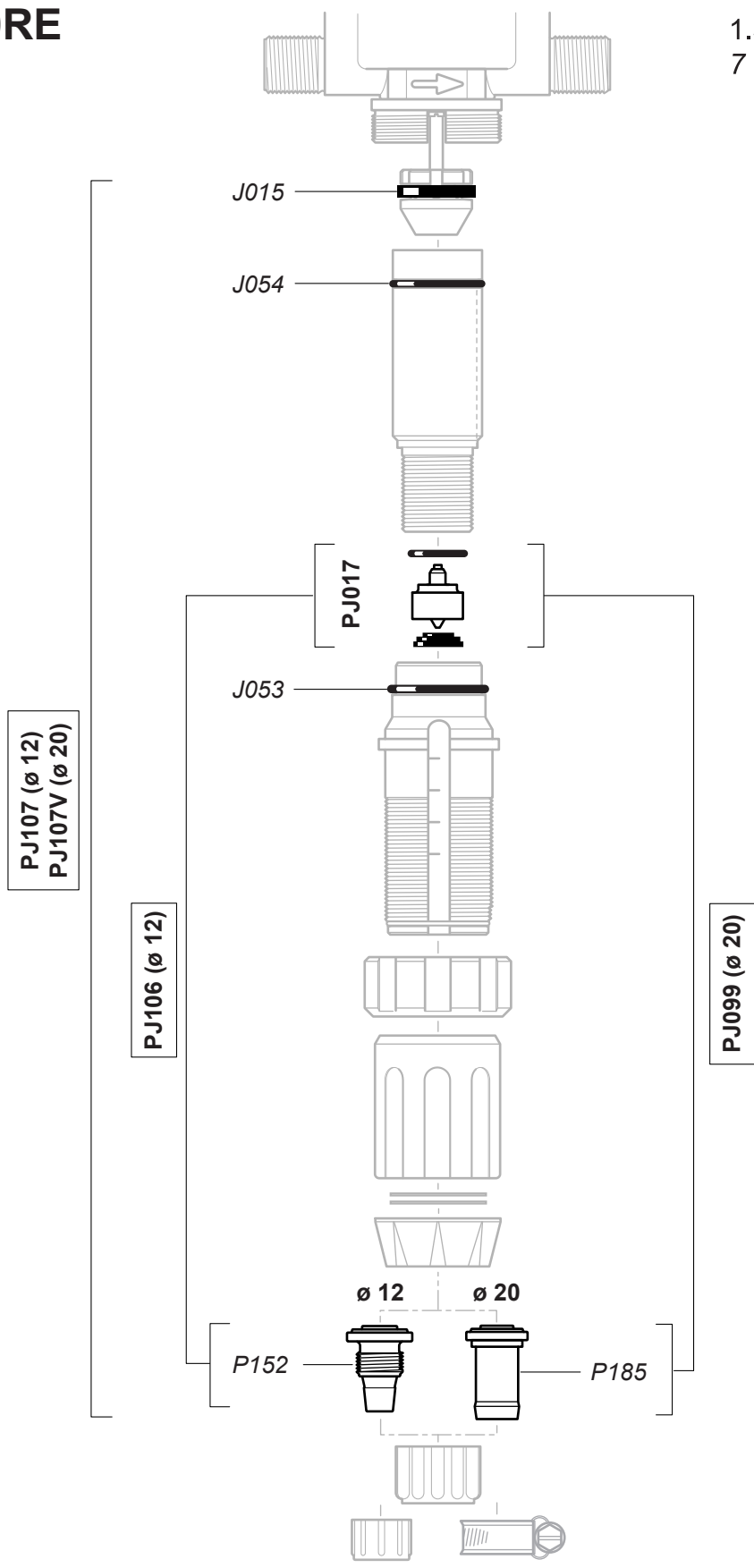


D310RE/1004/D

D

# D310RE

1.5 m<sup>3</sup>/h - 3 - 10%  
7 GPM - 1:33 - 1:10  
0.5 - 5 bar  
7 - 70 psi



D310RE/1004/D

**D**

# D310RE

1.5 m<sup>3</sup>/h - 3 - 10%  
7 GPM - 1:33 - 1:10  
0.5 - 5 bar  
7 - 70 psi

## Option "V"

