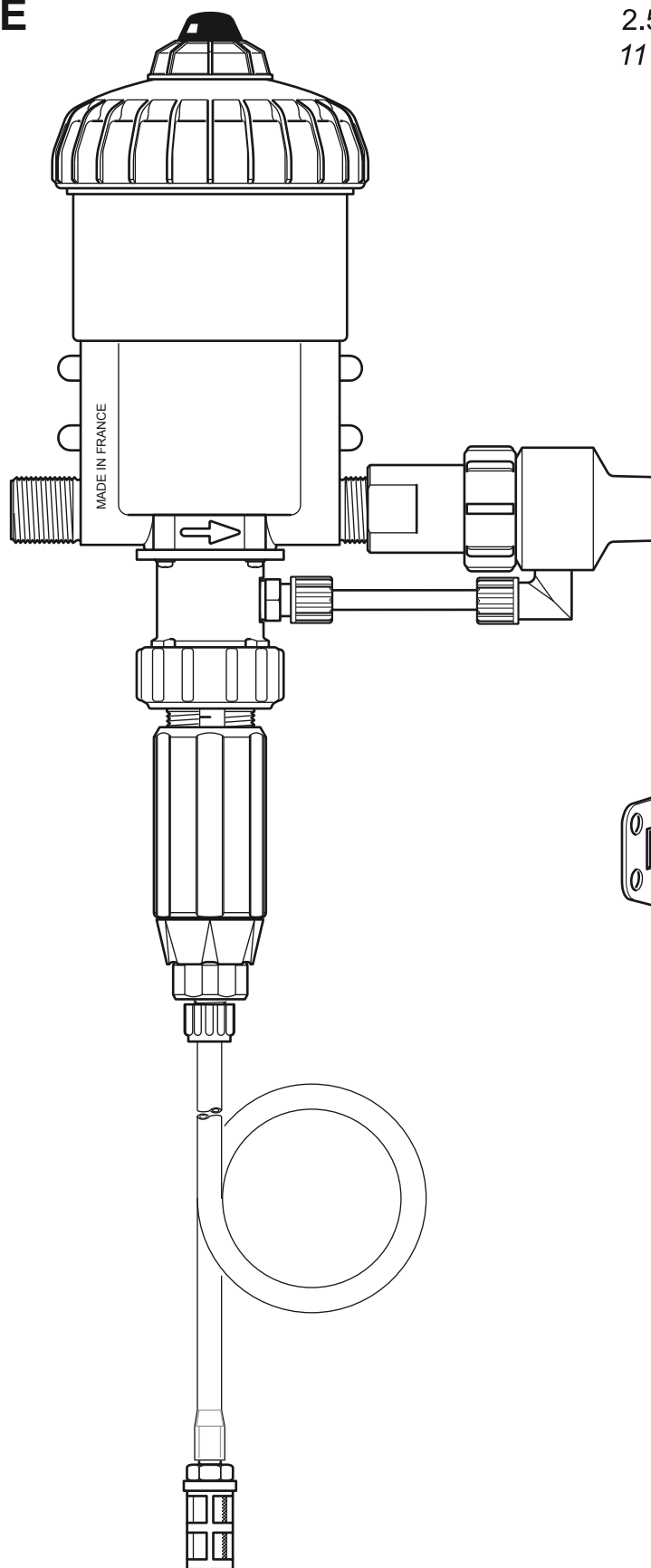


D25RE2-IE

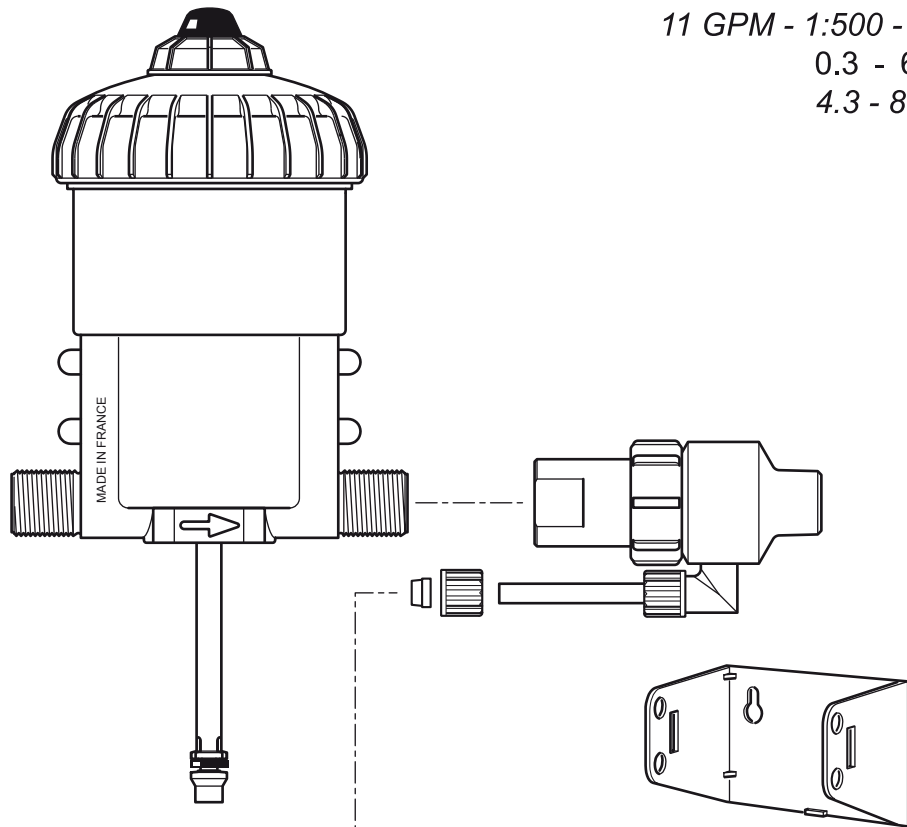
2.5 m³/h - 0.2 - 2%
11 GPM - 1:500 - 1:50
0.3 - 6 bar
4.3 - 85 psi



D25RE2-IE

2.5 m³/h - 0.2 - 2%
11 GPM - 1:500 - 1:50
0.3 - 6 bar
4.3 - 85 psi

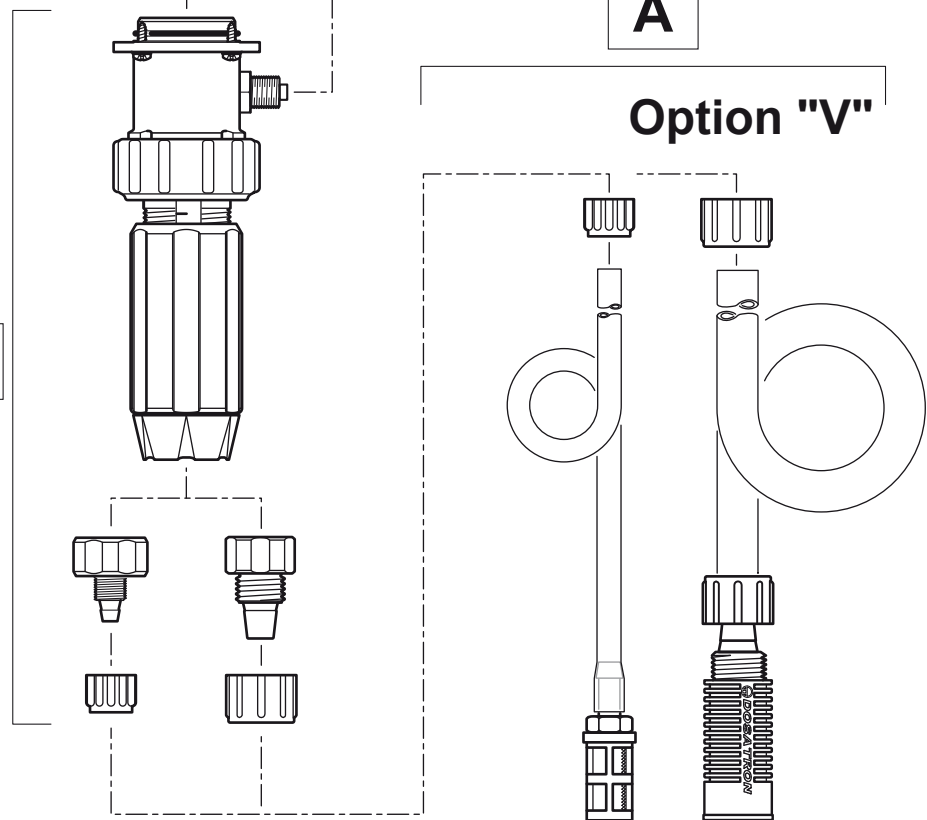
C+M



A

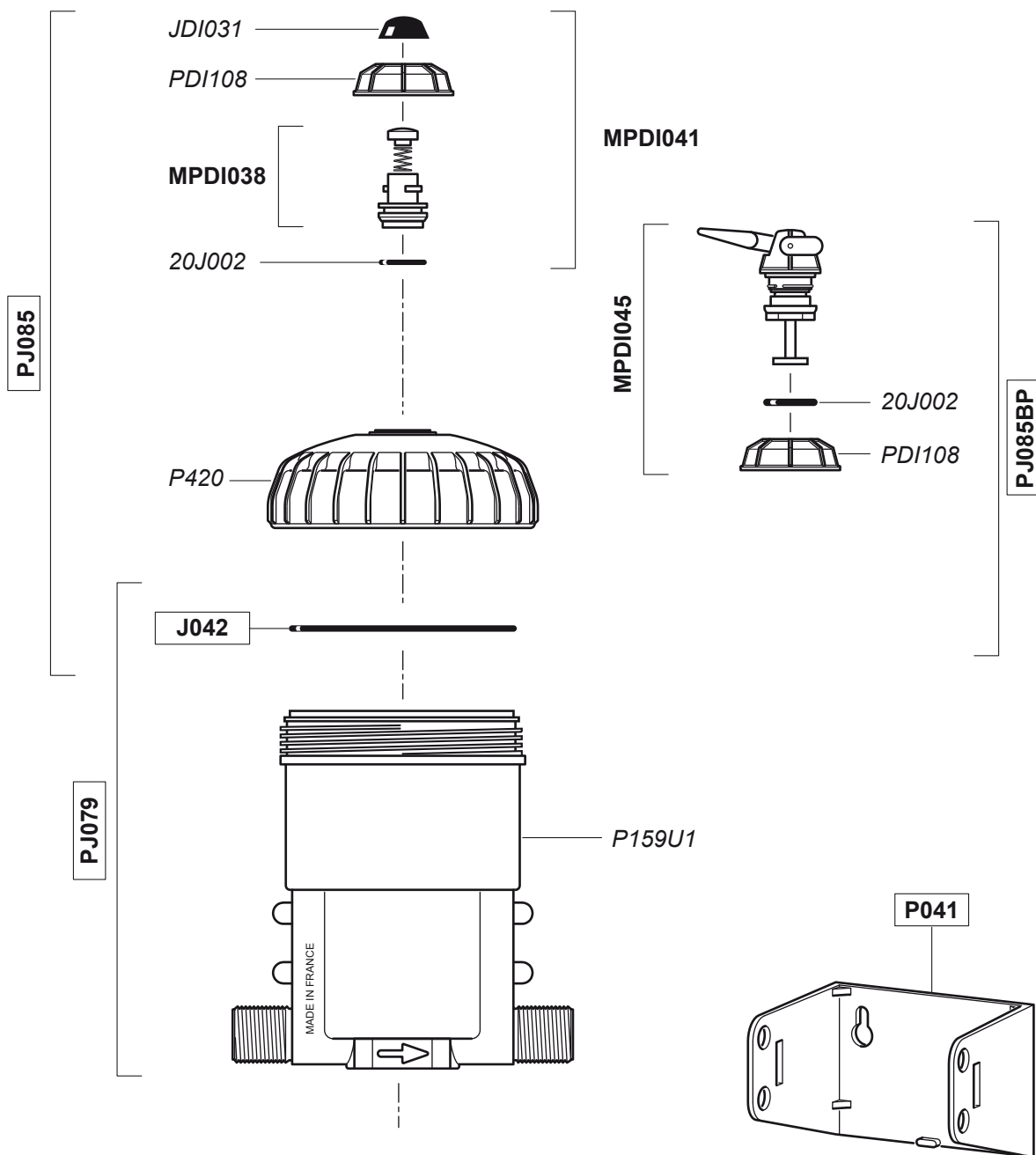
Option "V"

D+IE



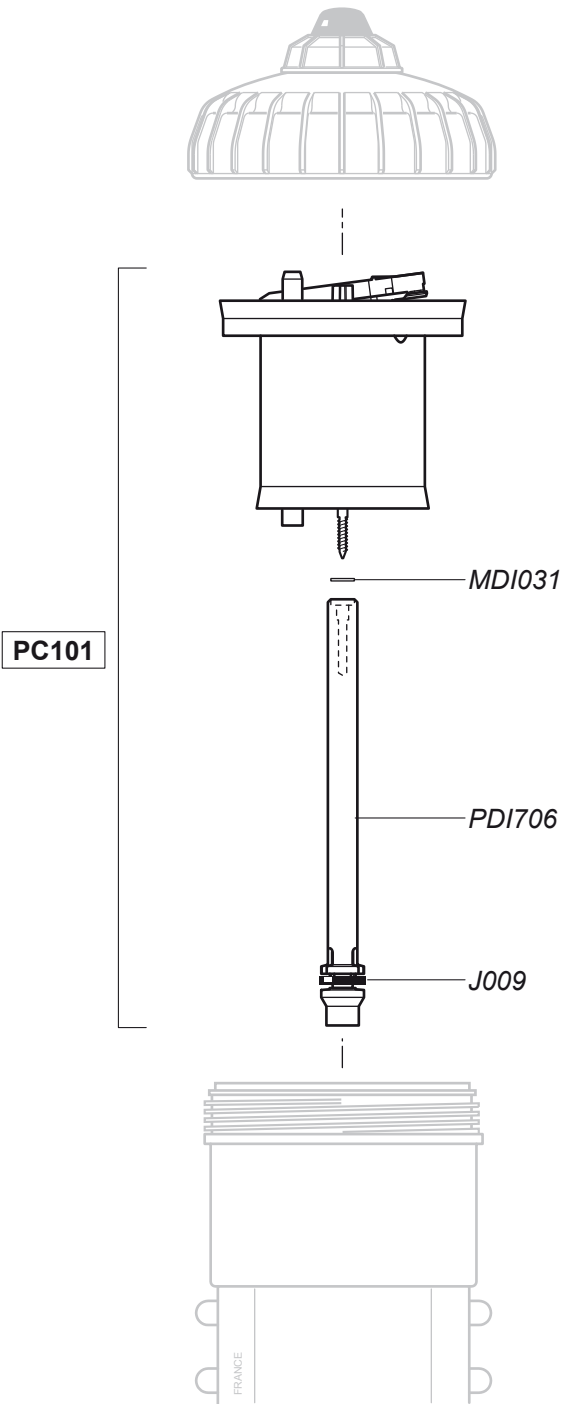
D25RE2-IE

2.5 m³/h - 0.2 - 2%
11 GPM - 1:500 - 1:50
0.3 - 6 bar
4.3 - 85 psi



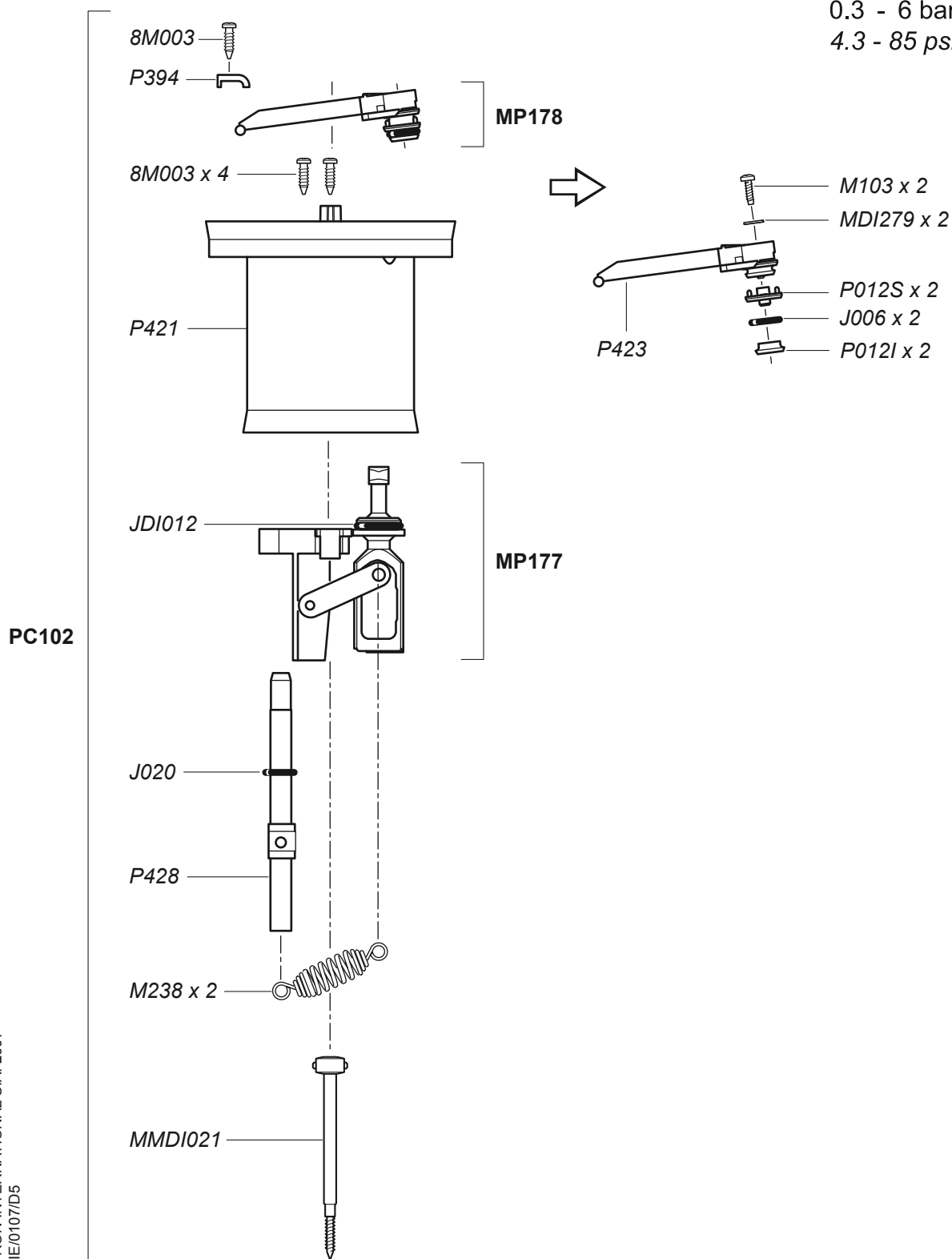
D25RE2-IE

2.5 m³/h - 0.2 - 2%
11 GPM - 1:500 - 1:50
0.3 - 6 bar
4.3 - 85 psi



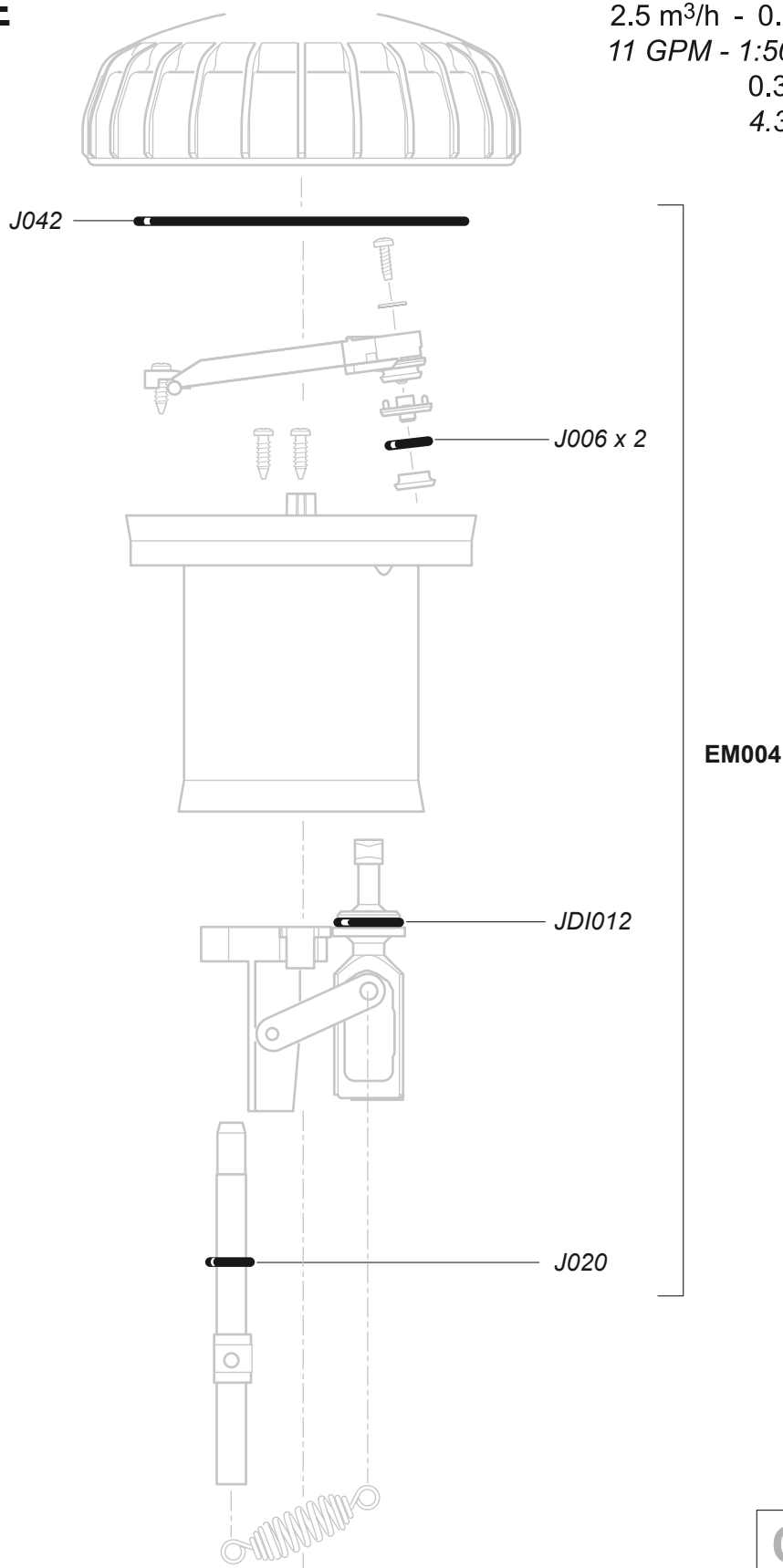
D25RE2-IE

2.5 m³/h - 0.2 - 2%
 11 GPM - 1:500 - 1:50
 0.3 - 6 bar
 4.3 - 85 psi



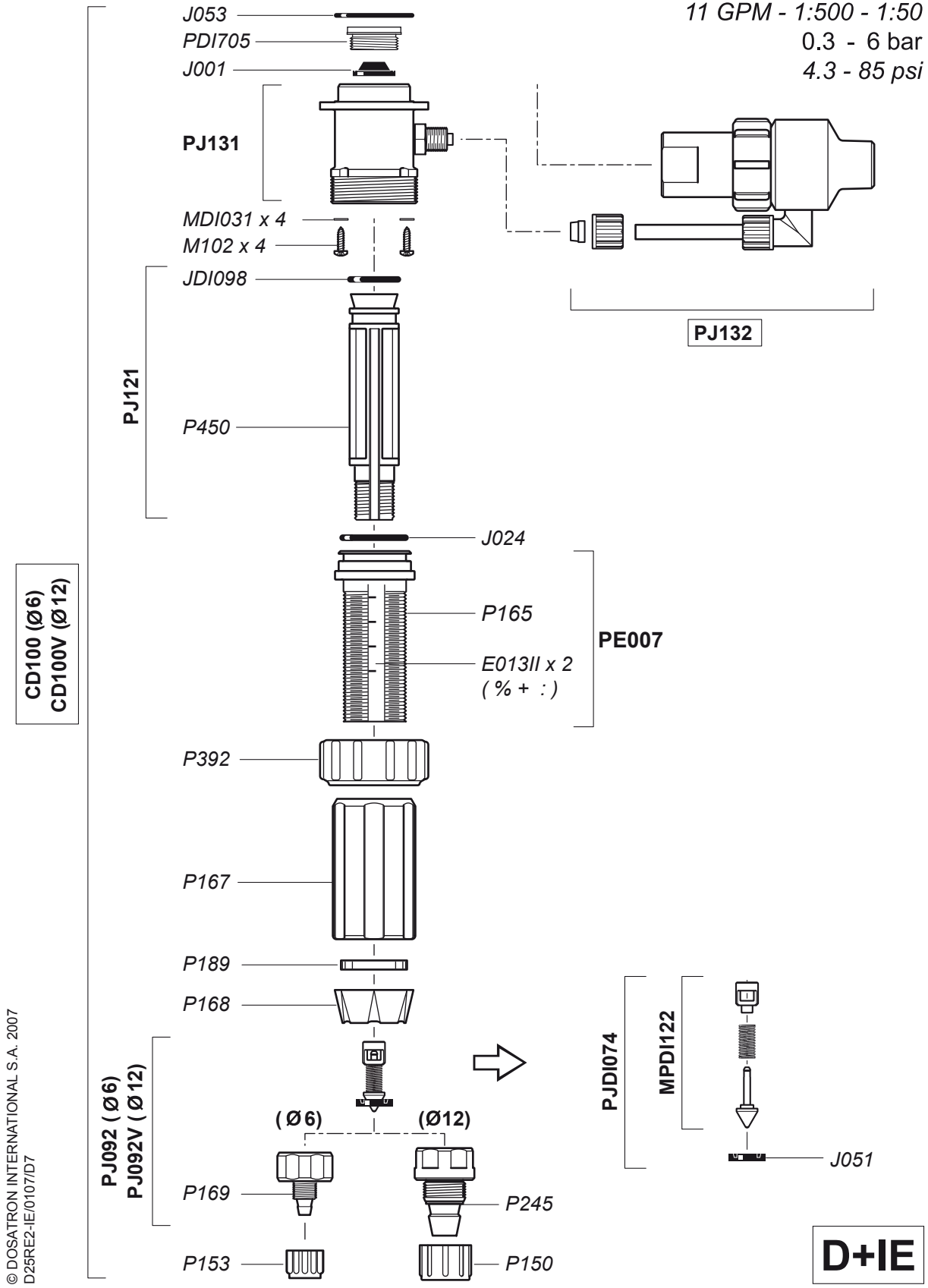
D25RE2-IE

2.5 m³/h - 0.2 - 2%
11 GPM - 1:500 - 1:50
0.3 - 6 bar
4.3 - 85 psi



D25RE2-IE

2.5 m³/h - 0.2 - 2%
 11 GPM - 1:500 - 1:50
 0.3 - 6 bar
 4.3 - 85 psi



© DOSATRON INTERNATIONAL S.A. 2007
 D25RE2-IE/0107ID7

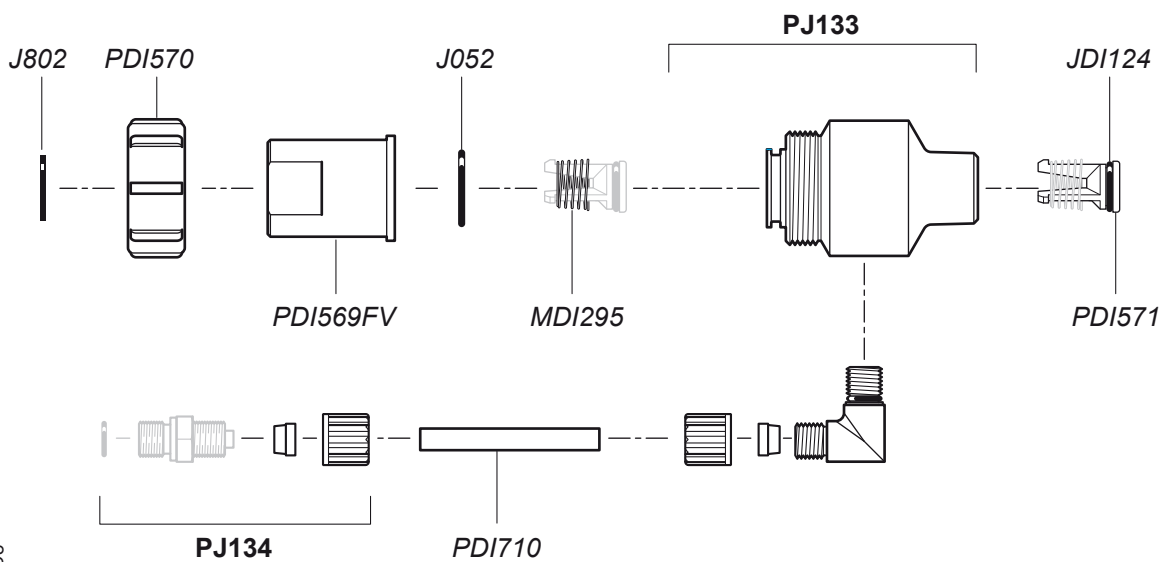
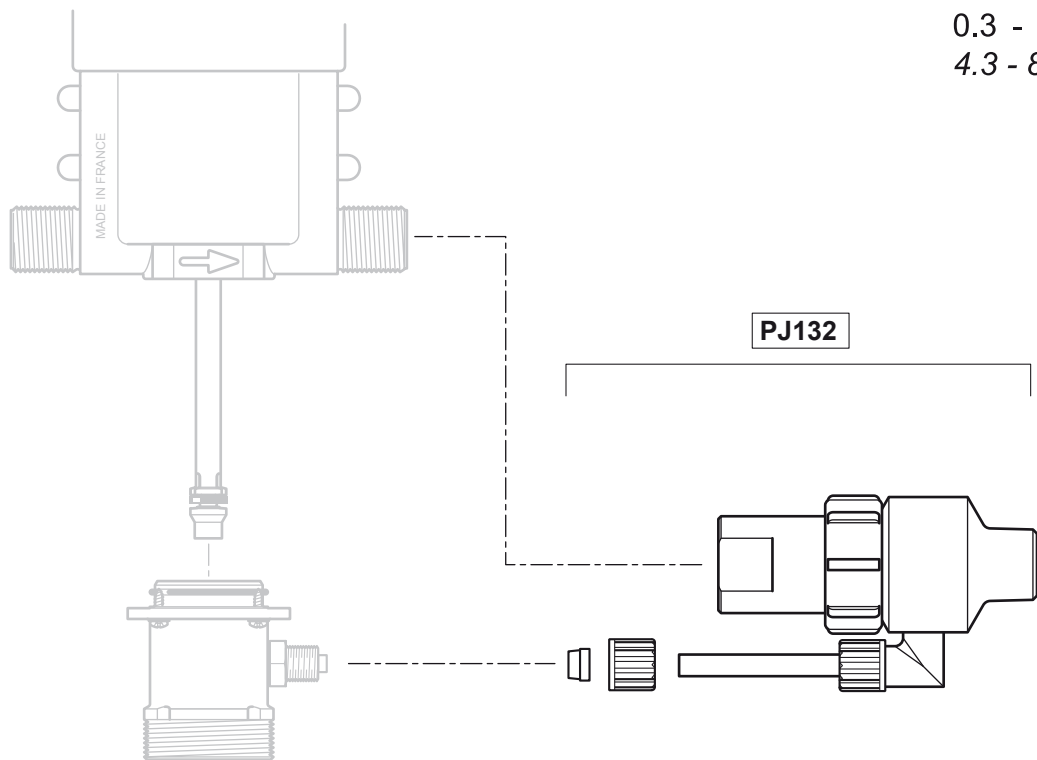
CD100 (Ø6)
 CD100V (Ø12)

PJ092 (Ø6)
 PJ092V (Ø12)

D+IE

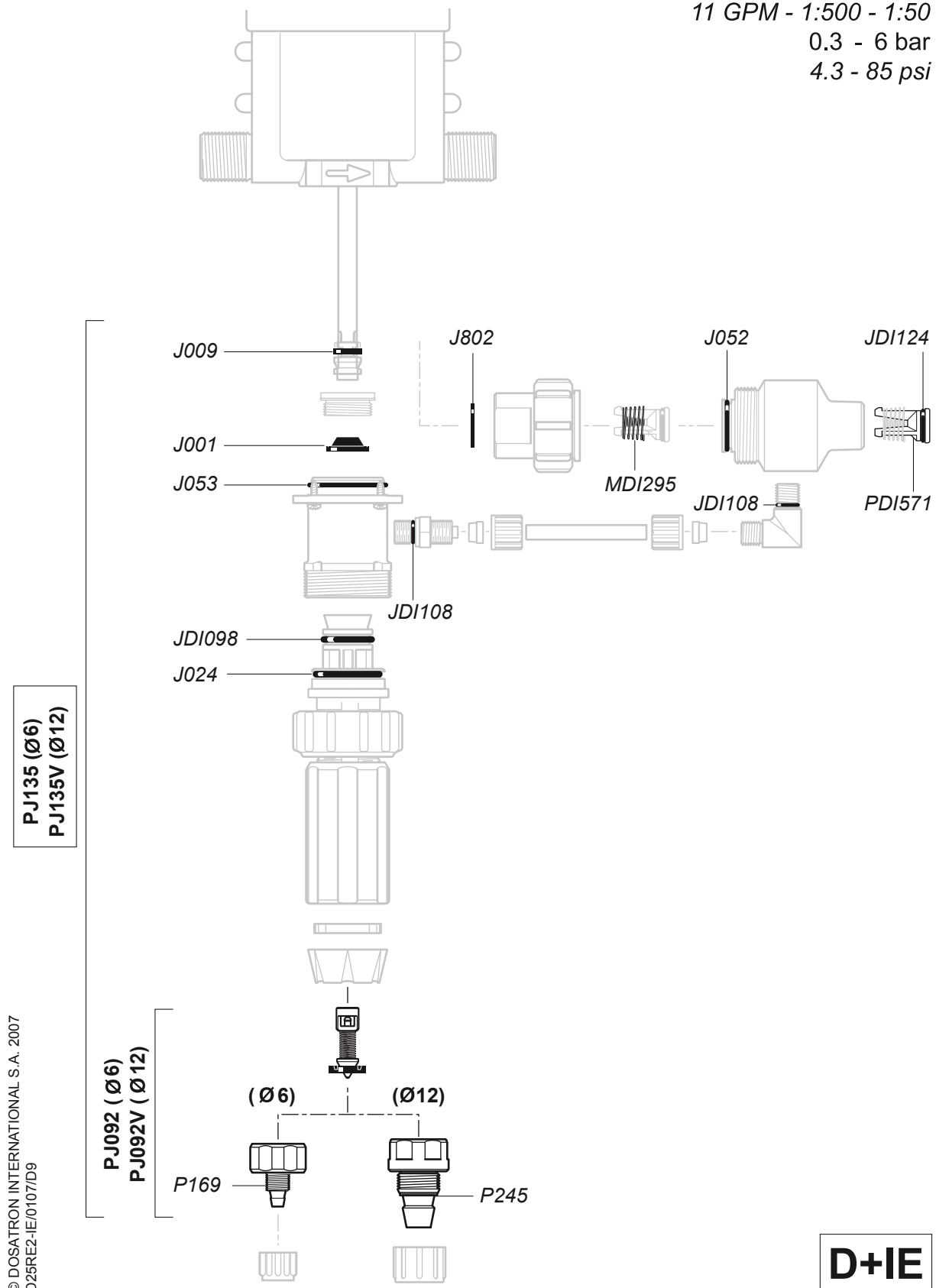
D25RE2-IE

2.5 m³/h - 0.2 - 2%
11 GPM - 1:500 - 1:50
0.3 - 6 bar
4.3 - 85 psi



D25RE2-IE

2.5 m³/h - 0.2 - 2%
 11 GPM - 1:500 - 1:50
 0.3 - 6 bar
 4.3 - 85 psi



© DOSATRON INTERNATIONAL S.A. 2007
 D25RE2-IE/0107/D9



D25RE2-IE

2.5 m³/h - 0.2 - 2%
11 GPM - 1:500 - 1:50
0.3 - 6 bar
4.3 - 85 psi

